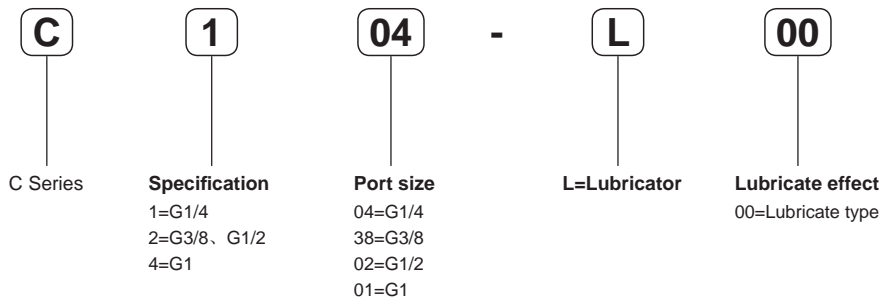


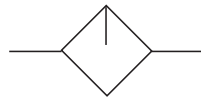
C Series Lubricator



Ordering code



Symbol



Specifications

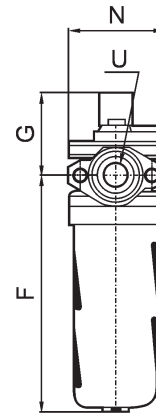
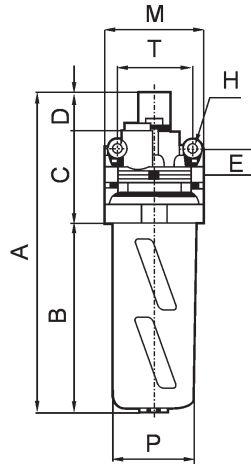
Structure type	Compact type				
Material	Al-alloy shelly body& oil storage cup engineering plastic observation window NBR seals				
Port size	G1/4	G3/8	G1/2	G1	
Oil cubage	37	130	130	455	cm3
Weight	0.210	0.430	0.420	1.150	kg
Installation type	Upright place,tube and board connection or wall installation				
Operating temperature	-10℃~5℃ (1MPa)				
Put on steam	G1/4 cannot pressure put on steam , G3/8、G1/2、G1 can pressure put on steam				
Lubrication	Oil mucosity 3° -10° E (May ask our engineer)				
Surface coat	Painted				
Operating pressure	0~1.6MPa				
Least start brume flow		G1/4	G3/8	G1/2	G1
	(0.1MPa)	5	4	4	25 NI/min
	(0.6MPa)	8	8	9	60 NI/min

● Dimensions

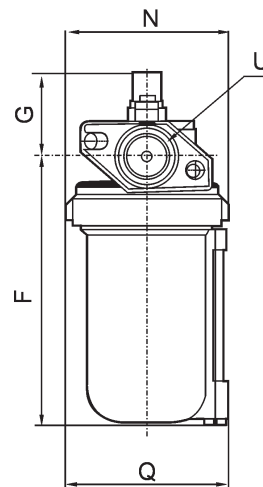
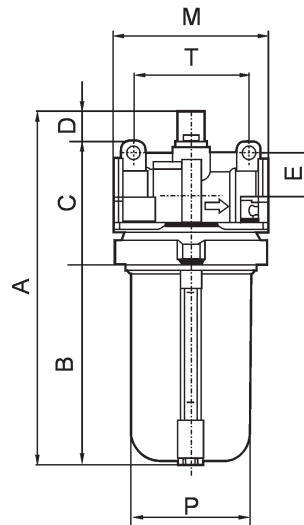
C104-L00

C238-L00

C202-L00



C401-L00



Model	A	B	C	D	E	F	G	H	M	N	P	Q	T	U
C104-L00	157	85	48	24	11	110	47	5	45	45	34	-	35	G1/4
C238-L00	195	115	56	24	15	145	50	6	62	59	50	-	46	G3/8
C202-L00	195	115	56	24	15	145	50	6	62	59	50	-	46	G1/2
C401-L00	239	135	82	22	29	181	58	8	105	110	89	111	78	G1